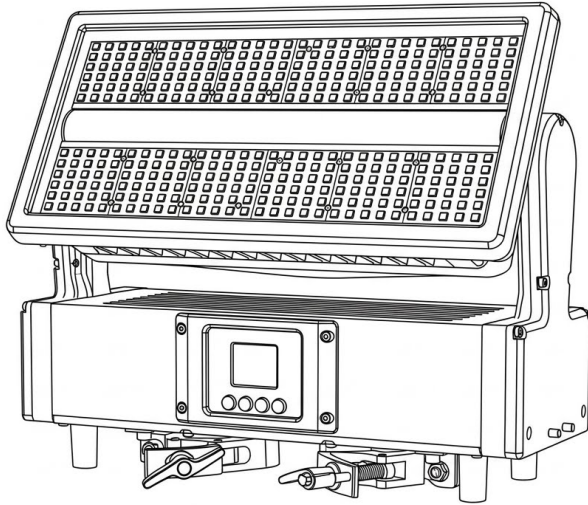


Strobe FXs1000

LED Moving Strobe Light



FXLIGHTING
FX-LIGHTING.COM

User Manual

Please read carefully before use

CONTENTS

1. Safety Instructions	3
2. Technical Specification	5
3. DMX Set Up	7
4. Display	8
5. Menu	9
6. LUX Data	11
7. DMX Channel List	12
8. Mounting	28
9. Product Size	29
10. Attention	29
11. Trouble Shooting	30
A. The unit does not work, no light and the fan does not work	30
B. Not responding to DMX controller	30
C. One of the channels is not working well	30
12. Fixture Cleaning	31

Thank you for choosing our LED lights. Each facility has been rigorously tested. Please check whether the facility has been damaged during transportation. If you find any parts are missing or broken, please contact the manufacturer immediately. Please do not return the product without any

notice!

1.Safety Instructions



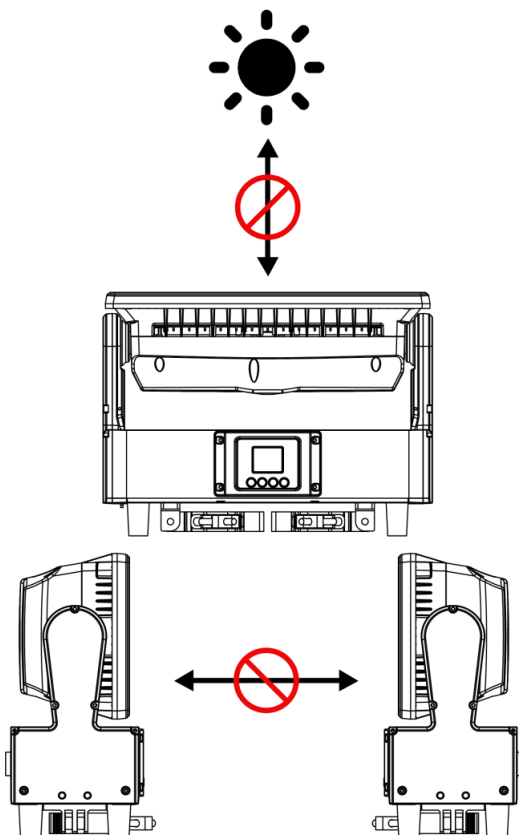
Please read this manual carefully, which includes important information on installation, use and maintenance.

Attention

- Please keep this USER MANUAL for future consultation. If you sell the facility to another user, be sure that they also receive this USER MANUAL.
- Please open and check in details and make sure there is no transportation damage.
- Before operating, ensure that the voltage and frequency of power supply match the power requirements of the facility.
- It's important to ground the yellow/green conductor to earth in order to avoid electric shock.
- The facility must be installed in a location with adequate ventilation, at least 50 cm from adjacent surfaces. Be sure that no ventilation slots are blocked.
- Make sure the power is disconnected before removing the facility.
- Make sure there are no flammable materials close to the unit while operating as it is fire hazard.
- Use safety cable when fixes this facility. Do not handle the facility by taking its head only, but always by taking its base.
- Maximum ambient temperature is 40 °C . Do not operate it where the temperature is higher than this.
- Please stop using the facility for serious operating problems. Stop using the facility immediately. Never try to repair the facility by yourself, but be a

professional technician. Please contact the supplier's service department for technical support.

- Do not touch any wire during operation as high voltage might be causing electric shock.
- When the housing or lens is damaged, it must be replaced.
- Direct sunlight or any other strong light source penetrating the lens of the light will cause serious internal damage to the facility. During unpacking, installation, use and long-term outdoor idleness, it is forbidden to expose the lens of the facility to direct sunlight or any other strong light source at any angle. It is forbidden to aim the beam of one light directly at another light.



Caution

There are no accessories available, do not open the housing and try to repair the facilities yourself. Please contact our company for after service.

Installation

The unit should be mounted via its screw holes on the bracket. Always ensure that the unit is firmly fixed to avoid vibration and slipping while operating. And make sure that the structure to which you are attaching the unit is secure and is able to support a weight of 10 times of the unit's weight. Also always use a safety cable that can hold 12 times of the weight of the unit when installing the fixture.

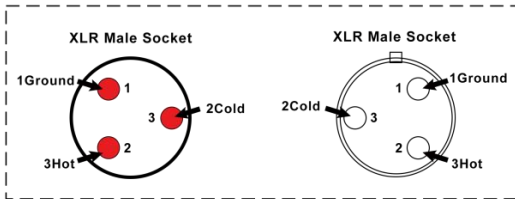
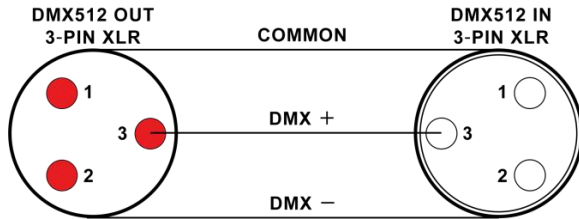
The facility must be installed by professionals, and keep it far away from fire, walking road, and easy touched place.

2. Technical Specification

Light Source	24pcs 10W white led + 24pcs 8W RRGBS 4in1 led in the middle; 360pcs 1W RRGB 4in1 led on both sides
LED Lifetime	≥ 50000H
Power Consumption	490W±5%, power factor PF≥0.95; standby power: 13W;
Power Voltage	AC100-240V , 50-60Hz
Optical system	120°
Color system	W+RRGBS 4in1 LED+RRGB 4in1 LED
Control Modes	DMX512、Auto、Sound、Master、Manual、RDM
DMX Channel	26/33/41/62/82/88 Channel
Protection Rating	IP65
Display	1.8°TFT Color Display, Can be rotated 180°, Chinese and English can be switched

Power Socket	Power-Con in/ out
Data In/Out Socket	3-pin XLR sockets
Tilt	Tilt 190°, accuracy 0.86°/step, fine-tuning accuracy: 0.0034°, using magnetically sensitive reset system
MAX. Connection	5 units (240V, 50Hz) 1.5mm ² power cable
	3 units (240V, 50Hz) 1.5mm ² power cable
Security protection	Overcurrent, overvoltage, overheat protection
Working position	Install in any safe location
Working temperature	-10℃~45℃
Electronic control technology	Menu or console control light reset; 0-100% dimming; constant current drive mode; temperature sensor detection, intelligent adjustment of light source power; lamp information query; intelligent fan speed regulation
Dimension	420mm*163mm*347mm
Net Weight	13.51kg
Carton Package	505mm*390mm*280mm 1in1 GW: 16.1KG
Flight Case	950mm*605mm*550mm 4in1 GW: 87.23KG
Features	Full range dimming, 256-level dimming accuracy; fast strobe 1~25Hz; the middle led is divided into six zones, and the two side led are divided into 12 zones; integrated with coloring, strobe and other effects; preset multiple effect macro functions
Configuration	Signal cable 1pc
	Power cable 1pc
	Manual 1pc

3. DMX Set Up



XLR Pin Configuration
pin 1=Ground
pin 2=Data Compliment (negative)
pin 3=Data true (positive)

Pin1: Ground

pin2: Negative

pin3: Positive

DMX Connection

To ensure optimal transmission of DMX data, please connect facilities in the shortest way. The connection order won't affect the DMX address code. For example, if the address code is set to 1, no matter where the facility is connected, its address code will not change. This is determined by the principle of the DMX controller.

Operation method

You can operate in the following three modes:

- Auto mode - the light can automatically complete all color changes
- DMX control mode - each light can be individually controlled by a standard DMX512 console
- Master mode -any light can work as a host in any of the above modes,and the other lights will work Synchronously as slaves

4. Display

There are four buttons on the LED panel: MENU, UP, DOWN, and ENTER.



MENU



UP



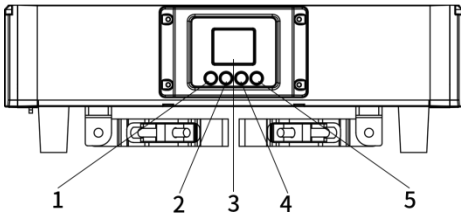
DOWN



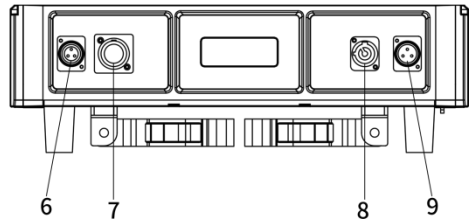
ENTER

Please press the "MENU" to exit or return to the previous menu, press "UP" or "DOWN" to select the upper and lower menus or adjust the values, and press "ENTER" to confirm.

FRONT VIEW



REAR VIEW



After powering on, the facility will automatically return to the last operation when it was powered off, then get into standby status. For more details, please refer to the information below↓

5. Menu

1-MENU 2-UP 3-DOWN 4-ENTER			
Menu	1.Mic Sense	001--100	Sound control adjust sensitiveness
	2.Language	1.English 2.Chinese	Select Display Language
	3.No Signal	1.BlackOut 2.Hold	
	4.Fan Set	1.Auto 2.Low 3.High	Fan Set
	5.Reset	1.Yes 2.No	
	6.Default	1.Yes	Restore factory settings
		2.No	
7.Adjust	Pass Word:****	Changing the Pan/Tilt value can correct the angle	
	1.Pan:0--255		
	2.Tilt:0--255		
Address	001--512		Set address code 001--512
Reverse	1.Tilt Invert	1.Yes 2.No	Tilt forward and reverse setting
	2.Display Invert	1.Yes 3.No	Show reverse settings
Inform	1.CH Value		Display all channel information
	2.Temp/°C		Display LED board temperature
	3.Version		Program version

			number	
Mode	1.DMX512			
	2.Auto	1.Master	Select master and slave	
		2.Alone		
	3.Sound	1.Master		
		2.Alone		
	4.Manual	1,Master	1.Tilt:0-255	Set control mode
			2.White:0-255	
			3.LED1 Auto:0-255	
		2.Alone	4.LED1 Auto Speed:0-255	
			5.Red 2:0-255	
			6.Green2:0-255	
			7.Blue2:0-255	
			8.White2:0-255	
			9.LED2 Auto Speed:0-255	
			10.LED2 Auto Speed:0-255	
			11.Red3:0-255	
			12.Green3:0-255	
13.Blue3:0-255				
14.White3 Auto:0-255				
15.LED3 Auto Speed:0-255				
16.LED3 Auto Speed:0-255				
17.Strobe:0-255				

Channel	1.26CH	1.26Channels	Select channel mode
	2.33CH	2.33Channels	
	3.41CH	3.41Channels	
	4.64CH	4.64Channels	
	5.82CH	5.82Channels	
	6.88CH	6.88Channels	

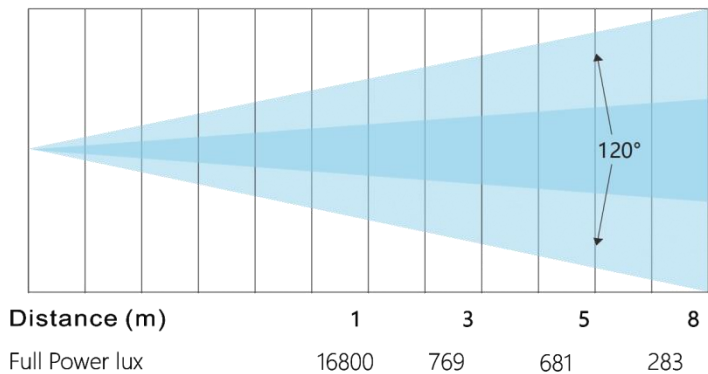
6. LUX Data

Middle LED 10W

R lux	251	25.4	9.9	4.4
G lux	541	61.7	23.3	10.1
B lux	196	18.9	7.1	3.3
W lux	11100	1430	558	211
S lux	496	54.2	19.4	8.2
Full lux	12100	1570	631	236

Side LED 1W

R lux	394	43	14.6	7.3
G lux	1140	128	49.5	20.8
B lux	202	22.5	8.6	4
A lux	924	99	38.7	16.1
Full lux	2010	769	97	39.1



7. DMX Channel List

► 26CH Mode

CH	Function		DMX Value	Description
1	Tilt		0--255	Tilt control
2	Tilt fine-tuning		0--255	Tilt fine-tuning control
3	Tilt speed		0--255	Speed from fast to slow
4	Dimming		0--255	From dark to bright
5	Strobe		0--3	Strobe dimming
			4--203	Synchronous strobe speed
				From slow to fast (1Hz-25Hz)
		204--255	Random strobe	
6	Middle 10W led	W dimming	0--255	White dimming
7		Dynamic pattern	0--9	No function
			10--14	Dynamic pattern 1
			15--19	Dynamic pattern 2
		 (5 numbers and one type)
			55--59	Dynamic pattern 10
			60--255	Reserve
8		Pattern translation (with 7 CH)	0--255	Choose pattern background
9		Pattern auto speed (with 7 CH)	0--9	No function
			10--132	Go forward from fast to slow
	133--255		Go backward from slow to fast	
10	Middle 8W led	R dimming	0--255	From dark to bright
11		G dimming	0--255	From dark to bright
12		B dimming	0--255	From dark to bright
13		S dimming	0--255	From dark to bright
14		Macro color	0--9	No function
	10--255		Macro color	

CH	Function		DMX Value	Description
15		Dynamic pattern	0--9	No function
			10--14	Dynamic pattern 1
			15--19	Dynamic pattern 2
		(5 numbers and one type)
			105--109	Dynamic pattern 10
			110--255	Reserve
16		Pattern translation (with 15 CH)	0--255	Choose pattern background
17		pattern auto speed (with 15 CH)	0--9	No function
			10--132	Go forward from fast to slow
			133--255	Go backward from slow to fast
18	Both sides	R dimming	0--255	From dark to bright
19		G dimming	0--255	From dark to bright
20		B dimming	0--255	From dark to bright
21		A dimming	0--255	From dark to bright
22		Macro color	0--9	No function
			10--255	Macro color
23		Dynamic pattern	0--9	No function
			10--12	Dynamic pattern 1
			13--15	Dynamic pattern 2
		 (3 numbers and one type)
			142--144	Dynamic pattern 45
	145--255		Reserve	

CH	Function		DMX Value	Description
24		Pattern translation (with 23 CH)	0--255	Choose pattern background
25		Pattern auto speed (with 23 CH)	0--9	No function
			10--132	Go forward from fast to slow
			133--255	Go backward from slow to fast
26	Reset		0--250	No function
			251--255	Reset within 5s

► 33CH Mode

CH	Function		DMX Value	Description
1		Tilt	0--255	Tilt control
2		Tilt fine-tuning	0--255	Tilt fine-tuning control
3		Tilt speed	0--255	Speed from fast to slow
4		Dimming	0--255	From dark to bright
5	Strobe		0--3	Strobe dimming
			4--203	Synchronous strobe speed From slow to fast (1Hz-25Hz)
			204--255	Random strobe
6	Dimming		0--255	From dark to bright
7	Middle 10W led	Strobe	0--3	Strobe dimming
			4--203	Synchronous strobe speed From slow to fast (1Hz-25Hz)
			204--255	Random strobe
8		W dimming	0--255	White dimming
9		Dynamic pattern	0--9	No function
			10--14	Dynamic pattern 1
			15--19	Dynamic pattern 2
		 (5 numbers and one

CH	Function	DMX Value	Description
		type)	
		55--59	Dynamic pattern 10
		60--255	Reserve
10	Pattern translation (with 9 CH)	0--255	Choose pattern background
11	Pattern auto speed (with 9 CH)	0--9	No function
		10--132	Go forward from fast to slow
		133--255	Go backward from slow to fast
12	Dimming	0--255	From dark to bright
13	Strobe	0--3	Strobe dimming
		4--203	Synchronous strobe speed
			From slow to fast (1Hz-25Hz)
		204--255	Random strobe
14	R dimming	0--255	From dark to bright
15	G dimming	0--255	From dark to bright
16	B dimming	0--255	From dark to bright
17	S dimming	0--255	From dark to bright
18	Macro color	0--9	No function
		10--255	Macro color
19	Dynamic pattern	0--9	No function
		10--14	Dynamic pattern 1
		15--19	Dynamic pattern 2
	(5 numbers and one type)
		105--109	Dynamic pattern 20
		110--255	Reserve
20	Pattern translation (with 19 CH)	0--255	Choose pattern background
21	pattern auto speed (with 19 CH)	0--9	No function
		10--132	Go forward from fast to slow

CH	Function	DMX Value	Description
		133--255	Go backward from slow to fast
22	Dimming	0--255	From dark to bright
23	Strobe	0--3	Strobe dimming
		4--203	Synchronous strobe speed From slow to fast (1Hz-25Hz)
			204--255
		24	R dimming
25	G dimming	0--255	From dark to bright
26	B dimming	0--255	From dark to bright
27	A dimming	0--255	From dark to bright
28	Macro color	0--9	No function
		10--255	Macro color
29	Dynamic pattern	0--9	No function
		10--12	Dynamic pattern 1
		13--15	Dynamic pattern 2
	 (3 numbers and one type)
		142--144	Dynamic pattern 45
		145--255	Reserve
		30	Pattern translation (with 29 CH)
31	pattern auto speed (with 29 CH)	0--9	No function
		10--132	Go forward from fast to slow
		133--255	Go backward from slow to fast
32	Dimming mode	0----49	No function
		50----255	Smooth dimming
33	Reset	0--250	No function
		251--255	Reset within 5s

► 64CH Mode

CH	Function	DMX Value	Description
1	Tilt	0--255	Tilt control
2	Tilt fine-tuning	0--255	Tilt fine-tuning control
3	Tilt speed	0--255	Speed from fast to slow
4	Reset	0--250	NO
		251--255	Reset within 5s
5	Dimming	0--255	From dark to bright
6	Strobe	0--3	Strobe dimming
		4--203	Synchronous strobe speed
			From slow to fast (1Hz-25Hz)
204--255	Random strobe		
7	W1 dimming	0--255	From dark to bright
8	W2 dimming	0--255	From dark to bright
9	W3 dimming	0--255	From dark to bright
10	W4 dimming	0--255	From dark to bright
11	W5 dimming	0--255	From dark to bright
12	W6 dimming	0--255	From dark to bright
13	Dimming	0--255	From dark to bright
14	Strobe	0--3	Strobe dimming
		4--203	Synchronous strobe speed
			From slow to fast (1Hz-25Hz)
204--255	Random strobe		
15	R1 dimming	0--255	From dark to bright
16	G1 dimming	0--255	From dark to bright
17	B1 dimming	0--255	From dark to bright
18	S1 dimming	0--255	From dark to bright
19	R2 dimming	0--255	From dark to bright
20	G2 dimming	0--255	From dark to bright
21	B2 dimming	0--255	From dark to bright
22	S2 dimming	0--255	From dark to bright
23	R3 dimming	0--255	From dark to bright
24	G3 dimming	0--255	From dark to bright

CH	Function	DMX Value	Description
25	B3 dimming	0--255	From dark to bright
26	S3 dimming	0--255	From dark to bright
27	R4 dimming	0--255	From dark to bright
28	G4 dimming	0--255	From dark to bright
29	B4 dimming	0--255	From dark to bright
30	S4 dimming	0--255	From dark to bright
31	R5 dimming	0--255	From dark to bright
32	G5 dimming	0--255	From dark to bright
33	B5 dimming	0--255	From dark to bright
34	S5 dimming	0--255	From dark to bright
35	R6 dimming	0--255	From dark to bright
36	G6 dimming	0--255	From dark to bright
37	B6 dimming	0--255	From dark to bright
38	S6 dimming	0--255	From dark to bright
39	Dimming	0--255	From dark to bright
40	Strobe	0--3	Strobe dimming
		4--203	Synchronous strobe speed
			From slow to fast (1Hz-25Hz)
		204--255	Random strobe
41	R1 dimming	0--255	From dark to bright
42	G1 dimming	0--255	From dark to bright
43	B1 dimming	0--255	From dark to bright
44	A1 dimming	0--255	From dark to bright
45	R2 dimming	0--255	From dark to bright
46	G2 dimming	0--255	From dark to bright
47	B2 dimming	0--255	From dark to bright
48	A2 dimming	0--255	From dark to bright
49	R3 dimming	0--255	From dark to bright
50	G3 dimming	0--255	From dark to bright
51	B3 dimming	0--255	From dark to bright
52	A3 dimming	0--255	From dark to bright
53	R4 dimming	0--255	From dark to bright
54	G4 dimming	0--255	From dark to bright
55	B4 dimming	0--255	From dark to bright
56	A4 dimming	0--255	From dark to bright

Both
sides 1W
led

CH	Function		DMX Value	Description
57		R5 dimming	0--255	From dark to bright
58		G5 dimming	0--255	From dark to bright
59		B5 dimming	0--255	From dark to bright
60		A5 dimming	0--255	From dark to bright
61		R6 dimming	0--255	From dark to bright
62		G6 dimming	0--255	From dark to bright
63		B6 dimming	0--255	From dark to bright
64		A6 dimming	0--255	From dark to bright

► 41CH Mode

CH	Function		DMX Value	Description	
1	Tilt		0--255	Tilt control	
2	Tilt fine-tuning		0--255	Tilt fine-tuning control	
3	Tilt speed		0--255	Speed from fast to slow	
4	Dimming		0--255	From dark to bright	
5	Strobe		0--3	Strobe dimming	
			4--203	Synchronous strobe speed	
				From slow to fast (1Hz-25Hz)	
			204--255	Random strobe	
6	Middle 10W led	Dimming	0--255	From dark to bright	
7		Strobe	0--3	Strobe dimming	
			4--203	Synchronous strobe speed	
				From slow to fast (1Hz-25Hz)	
8		W dimming		0--255	White dimming
9		Dynamic pattern		0--9	No function
				10--14	Dynamic pattern 1
	15--19			Dynamic pattern 2	
 (5 numbers and one			

CH	Function	DMX Value	Description
		type)	
		55--59	Dynamic pattern 10
		60--255	Reserve
10	Pattern translation (with 9 CH)	0--255	Choose pattern background
11	Pattern auto speed (with 9 CH)	0--9	No function
		10--132	Go forward from fast to slow
		133--255	Go backward from slow to fast
12	Dimming	0--255	From dark to bright
13	Strobe	0--3	Strobe dimming
		4--203	Synchronous strobe speed
			From slow to fast (1Hz-25Hz)
		204--255	Random strobe
14	R dimming	0--255	From dark to bright
15	G dimming	0--255	From dark to bright
16	B dimming	0--255	From dark to bright
17	S dimming	0--255	From dark to bright
18	Macro color	0--9	No function
		10--255	Macro color
19	Dynamic pattern	0--9	No function
		10--14	Dynamic pattern 1
		15--19	Dynamic pattern 2
	(5 numbers and one type)
		105--109	Dynamic pattern 20
		110--255	Reserve
20	Pattern translation (with 19 CH)	0--255	Choose pattern background
21	pattern auto speed	0--9	No function
		10--132	Go forward from fast to

CH	Function		DMX Value	Description
		(with 19 CH)		slow
			133--255	Go backward from slow to fast
22	Both sides	Pattern background color R(with 19 CH)	0----255	From dark to bright
23		Pattern background color G(with 19 CH)	0--255	From dark to bright
24		Pattern background color B(with 19 CH)	0--255	From dark to bright
25		Pattern background color S(with 19 CH)	0--255	From dark to bright
26		Dimming	0--255	From dark to bright
27		Strobe	0--3	Strobe dimming
			4--203	Synchronous strobe speed
				From slow to fast (1Hz-25Hz)
			204--255	Random strobe
28		R dimming	0--255	From dark to bright
29		G dimming	0--255	From dark to bright
30		B dimming	0--255	From dark to bright
31		A dimming	0--255	From dark to bright
32		Macro color	0--9	No function
			10--255	Macro color
33	Dynamic pattern	0--9	No function	
		10--12	Dynamic pattern 1	
		13--15	Dynamic pattern 2	
	 (3 numbers and one type)	
		142--144	Dynamic pattern 45	

CH	Function	DMX Value	Description
		145--255	Reserve
34	Pattern translation (with 33 CH)	0--255	Choose pattern background
35	pattern auto speed (with 33 CH)	0--9	No function
		10--132	Go forward from fast to slow
		133--255	Go backward from slow to fast
36	Pattern background color R (with 19 CH)	0--255	From dark to bright
37	Pattern background color G (with 19 CH)	0--255	From dark to bright
38	Pattern background color B (with 19 CH)	0--255	From dark to bright
39	Pattern background color A (with 19 CH)	0--255	From dark to bright
40	Dimming mode	0--49	No function
		50--255	Smooth dimming
41	Reset	0--250	No function
		251--255	Reset within 5s

► 82CH Mode

CH	Function	DMX Value	Description
1	Tilt	0--255	Tilt control
2	Tilt fine-tuning	0--255	Tilt fine-tuning control
3	Tilt speed	0--255	Speed from fast to slow
4	Reset	0--250	No function

CH	Function	DMX Value	Description	
		251--255	Reset within 5s	
5	Middle 10W led	W1 dimming	0--255	From dark to bright
6		W2 dimming	0--255	From dark to bright
7		W3 dimming	0--255	From dark to bright
8		W4 dimming	0--255	From dark to bright
9		W5 dimming	0--255	From dark to bright
10		W6 dimming	0--255	From dark to bright
11	Middle 8W led	R1 dimming	0--255	From dark to bright
12		G1 dimming	0--255	From dark to bright
13		B1 dimming	0--255	From dark to bright
14		S1 dimming	0--255	From dark to bright
15		R2 dimming	0--255	From dark to bright
16		G2 dimming	0--255	From dark to bright
17		B2 dimming	0--255	From dark to bright
18		S2 dimming	0--255	From dark to bright
19		R3 dimming	0--255	From dark to bright
20		G3 dimming	0--255	From dark to bright
21		B3 dimming	0--255	From dark to bright
22		S3 dimming	0--255	From dark to bright
23		R4 dimming	0--255	From dark to bright
24		G4 dimming	0--255	From dark to bright
25		B4 dimming	0--255	From dark to bright
26		S4 dimming	0--255	From dark to bright
27		R5 dimming	0--255	From dark to bright
28		G5 dimming	0--255	From dark to bright
29		B5 dimming	0--255	From dark to bright
30		S5 dimming	0--255	From dark to bright
31		R6 dimming	0--255	From dark to bright
32		G6 dimming	0--255	From dark to bright
33		B6 dimming	0--255	From dark to bright
34		S6 dimming	0--255	From dark to bright
35	Both sides 1W led	R1 dimming	0--255	From dark to bright
36		G1 dimming	0--255	From dark to bright
37		B1 dimming	0--255	From dark to bright
38		A1 dimming	0--255	From dark to bright
39		R2 dimming	0--255	From dark to bright
40	G2 dimming	0--255	From dark to bright	

CH	Function	DMX Value	Description
41	B2 dimming	0--255	From dark to bright
42	A2 dimming	0--255	From dark to bright
43	R3 dimming	0--255	From dark to bright
44	G3 dimming	0--255	From dark to bright
45	B3 dimming	0--255	From dark to bright
46	A3 dimming	0--255	From dark to bright
47	R4 dimming	0--255	From dark to bright
48	G4 dimming	0--255	From dark to bright
49	B4 dimming	0--255	From dark to bright
50	A4 dimming	0--255	From dark to bright
51	R5 dimming	0--255	From dark to bright
52	G5 dimming	0--255	From dark to bright
53	B5 dimming	0--255	From dark to bright
54	A5 dimming	0--255	From dark to bright
55	R6 dimming	0--255	From dark to bright
56	G6 dimming	0--255	From dark to bright
57	B6 dimming	0--255	From dark to bright
58	A6 dimming	0--255	From dark to bright
59	R7 dimming	0--255	From dark to bright
60	G7 dimming	0--255	From dark to bright
61	B7 dimming	0--255	From dark to bright
62	A7 dimming	0--255	From dark to bright
63	R8 dimming	0--255	From dark to bright
64	G8 dimming	0--255	From dark to bright
65	B8 dimming	0--255	From dark to bright
66	A8 dimming	0--255	From dark to bright
67	R9 dimming	0--255	From dark to bright
68	G9 dimming	0--255	From dark to bright
69	B9 dimming	0--255	From dark to bright
70	A9 dimming	0--255	From dark to bright
71	R10 dimming	0--255	From dark to bright
72	G10 dimming	0--255	From dark to bright
73	B10 dimming	0--255	From dark to bright
74	A10 dimming	0--255	From dark to bright
75	R11 dimming	0--255	From dark to bright
76	G11 dimming	0--255	From dark to bright
77	B11 dimming	0--255	From dark to bright

CH	Function	DMX Value	Description
78	A11 dimming	0--255	From dark to bright
79	R12 dimming	0--255	From dark to bright
80	G12 dimming	0--255	From dark to bright
81	B12 dimming	0--255	From dark to bright
82	A12 dimming	0--255	From dark to bright

► **88CH Mode**

CH	Function	DMX Value	Description	
1	Tilt	0--255	Tilt control	
2	Tilt fine-tuning	0--255	Tilt fine-tuning control	
3	Tilt speed	0--255	Speed from fast to slow	
4	Reset	0--250	No function	
		251--255	Reset within 5s	
5	Middle 10W led	Dimming	0--255	linear dimming from dark to bright
6		Strobe	0--3	Strobe dimming
			4--203	Synchronous strobe speed From slow to fast (1Hz-25Hz)
			204--255	Random strobe
7	W1 dimming	0--255	From dark to bright	
8	W2 dimming	0--255	From dark to bright	
9	W3 dimming	0--255	From dark to bright	
10	W4 dimming	0--255	From dark to bright	
11	W5 dimming	0--255	From dark to bright	
12	W6 dimming	0--255	From dark to bright	
13	Middle 8W led	Dimming	0--255	From dark to bright
14		Strobe	0--3	Strobe dimming
			4--203	Synchronous strobe speed From slow to fast (1Hz-25Hz)
			204--255	Random strobe
15	R1 dimming	0--255	From dark to bright	
16	G1 dimming	0--255	From dark to bright	
17	B1 dimming	0--255	From dark to bright	

CH		Function	DMX Value	Description	
18		S1 dimming	0--255	From dark to bright	
19		R2 dimming	0--255	From dark to bright	
20		G2 dimming	0--255	From dark to bright	
21		B2 dimming	0--255	From dark to bright	
22		S2 dimming	0--255	From dark to bright	
23		R3 dimming	0--255	From dark to bright	
24		G3 dimming	0--255	From dark to bright	
25		B3 dimming	0--255	From dark to bright	
26		S3 dimming	0--255	From dark to bright	
27		R4 dimming	0--255	From dark to bright	
28		G4 dimming	0--255	From dark to bright	
29		B4 dimming	0--255	From dark to bright	
30		S4 dimming	0--255	From dark to bright	
31		R5 dimming	0--255	From dark to bright	
32		G5 dimming	0--255	From dark to bright	
33		B5 dimming	0--255	From dark to bright	
34		S5 dimming	0--255	From dark to bright	
35		R6 dimming	0--255	From dark to bright	
36		G6 dimming	0--255	From dark to bright	
37		B6 dimming	0--255	From dark to bright	
38		S6 dimming	0--255	From dark to bright	
39		Both sides 1W led	Dimming	0--255	From dark to bright
40			Strobe	0--3	Strobe dimming
				4--203	Synchronous strobe speed
				204--255	From slow to fast (1Hz-25Hz)
					Random strobe
41			R1 dimming	0--255	From dark to bright
42			G1 dimming	0--255	From dark to bright
43	B1 dimming	0--255	From dark to bright		
44	A1 dimming	0--255	From dark to bright		
45	R2 dimming	0--255	From dark to bright		
46	G2 dimming	0--255	From dark to bright		
47	B2 dimming	0--255	From dark to bright		
48	A2 dimming	0--255	From dark to bright		
49	R3 dimming	0--255	From dark to bright		
50	G3 dimming	0--255	From dark to bright		

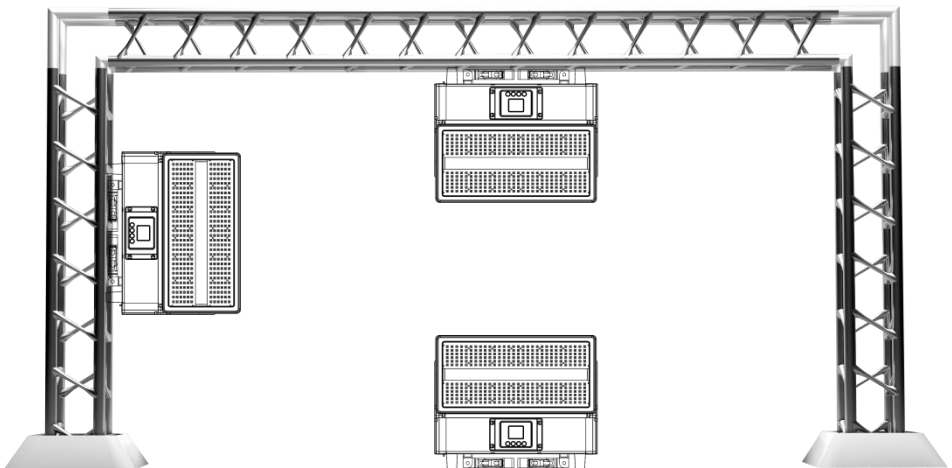
CH	Function	DMX Value	Description
51	B3 dimming	0--255	From dark to bright
52	A3 dimming	0--255	From dark to bright
53	R4 dimming	0--255	From dark to bright
54	G4 dimming	0--255	From dark to bright
55	B4 dimming	0--255	From dark to bright
56	A4 dimming	0--255	From dark to bright
57	R5 dimming	0--255	From dark to bright
58	G5 dimming	0--255	From dark to bright
59	B5 dimming	0--255	From dark to bright
60	A5 dimming	0--255	From dark to bright
61	R6 dimming	0--255	From dark to bright
62	G6 dimming	0--255	From dark to bright
63	B6 dimming	0--255	From dark to bright
64	A6 dimming	0--255	From dark to bright
65	R7 dimming	0--255	From dark to bright
66	G7 dimming	0--255	From dark to bright
67	B7 dimming	0--255	From dark to bright
68	A7 dimming	0--255	From dark to bright
69	R8 dimming	0--255	From dark to bright
70	G8 dimming	0--255	From dark to bright
71	B8 dimming	0--255	From dark to bright
72	A8 dimming	0--255	From dark to bright
73	R9 dimming	0--255	From dark to bright
74	G9 dimming	0--255	From dark to bright
75	B9 dimming	0--255	From dark to bright
76	A9 dimming	0--255	From dark to bright
77	R10 dimming	0--255	From dark to bright
78	G10 dimming	0--255	From dark to bright
79	B10 dimming	0--255	From dark to bright
80	A10 dimming	0--255	From dark to bright
81	R11 dimming	0--255	From dark to bright
82	G11 dimming	0--255	From dark to bright
83	B11 dimming	0--255	From dark to bright
84	A11 dimming	0--255	From dark to bright
85	R12 dimming	0--255	From dark to bright
86	G12 dimming	0--255	From dark to bright
87	B12 dimming	0--255	From dark to bright

CH	Function	DMX Value	Description
88	A12 dimming	0--255	From dark to bright

8. Mounting

When installing the unit, the trussing or area of installation must be able to hold 10 times the weight without any deformation. When installing the unit must be secured with a secondary safety attachment, e.g. an appropriate safety cable. Never stand directly under the facility while mounting, uninstalling or repairing facilities.

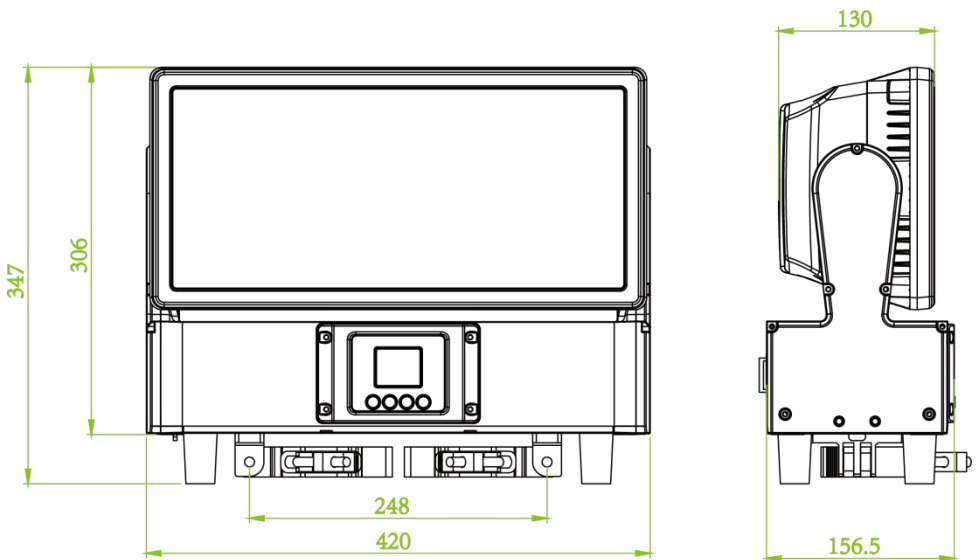
High-altitude mounting requires for extensive experience, including working load limits calculating , installation material, and periodic safety check of installation materials and facilities. If you're lack of mentioned qualifications, do not attempt the installation yourself. These installation should be checked by a skilled person annually.



S1000 works properly in above different mounting, hanging upside-down from a ceiling, sideways on trussing, or set on smooth horizontal surface. Be sure this facility is at least 1m (3.5ft) away from flammable materials (decoration etc.). Always use and install the safety cable to prevent accidental damage or injury from the facility failure. Never use handles for secondary attachment.

NOTICE: The suitable environment temperature of the facility is from -10°C to 45°C . Do not place this facility in an environment where the temperatures are under or above the temperatures stated. This will help the fixture run at its best and extend the lifetime.

9. Product Size



10. Attention

1. When the facility is powered on, please avoid looking directly at the facility.
2. When assembling/ replacing LEDs, be sure to cut off the main power of facilities

before opening the cover upon the LED board.

11. Trouble Shooting

Following are a few common problems that may occur during operation. Here are some suggestions for easy troubleshooting:

A. The unit does not work, no light and the fan does not work

1. Check the status of power connection and fuse.
2. Check the voltage.
3. Check the power indicator.

B. No response to DMX controller

1. If the display screen flashes, check the DMX signal connector and signal line whether the connection is correct.
2. If the display screen does not flash, but no response to channel control, check whether the address code or channel setting is correct.
3. If the DMX signal transmission is intermittent, check if the XLR and DMX cables are in good condition.
4. Try using another controller.
5. Check if the DMX cables is too close to the high-voltage wire, which may damage or interfere with the signal circuit.
6. The facility has not completed the self-check.

C. One of the channels is not working well

1. The stepper motor might be damaged or the cable connected to the PCB is broken.
2. The motor's drive IC on the PCB might be out of condition.

12. Fixture Cleaning

The lens and diffuser should be clean frequently to get better light effect. Wipe frequency according to the environment. Humidity, excessive smoke, and dirty environment will make lens dusty.

- Use soft cloth and special glass cleaner.
- Wipe lens surface at least every 30 days.
- Use vacuum cleaners or air guns to clean the interior structure of the facility, at least twice a year.



Warning:

To avoid the danger of lighting strikes and fire, please do not place the facility in a humid environment. Do not disassemble it without permission, otherwise, the manufacturer will not provide warranty. If the facility fails, please contact the manufacturer first.

Product Warranty Card

Product: LED Moving Strobe Light

Model NO.: S1000

Manufacture Date:

User:

Purchase Date:

Manufacturer:

Sales Store:

Address:

ATTN.:

ATTN.:

Phone:

Phone:

Note: The above blank must be filled in and sealed by the end user or sales point, otherwise no warranty will be provided. (Below please check the warranty period and terms)

Warranty Period: This facility is warranted for 2 years from the date of purchase.

Warranty Terms:

1. Except for man-made damage and natural disasters
2. If the facility fails to function properly during the warranty period, please contact our after service department or our local distributor directly.
 - 1) Fail to present a valid warranty card.
 - 2) Omissions, alterations, and trade sales names on the warranty card.
 - 3) Failures and damage caused by force majeure.
 - 4) Failures and damage caused during transportation and handling.
 - 5) Failures and damage caused by failure to follow the instructions for use.
 - 6) Failures and damage caused by disassembly, repair, and modification of the product without the manufacturer's authorization or by non-professionals.
 - 7) Failures caused by the use of accessories not approved by the factory or not matched by the factory.

▲ Thank you for reading this manual. Please keep it for future reference.